

ASSEMBLING INSTRUCTION

CRASH PAD FITTING

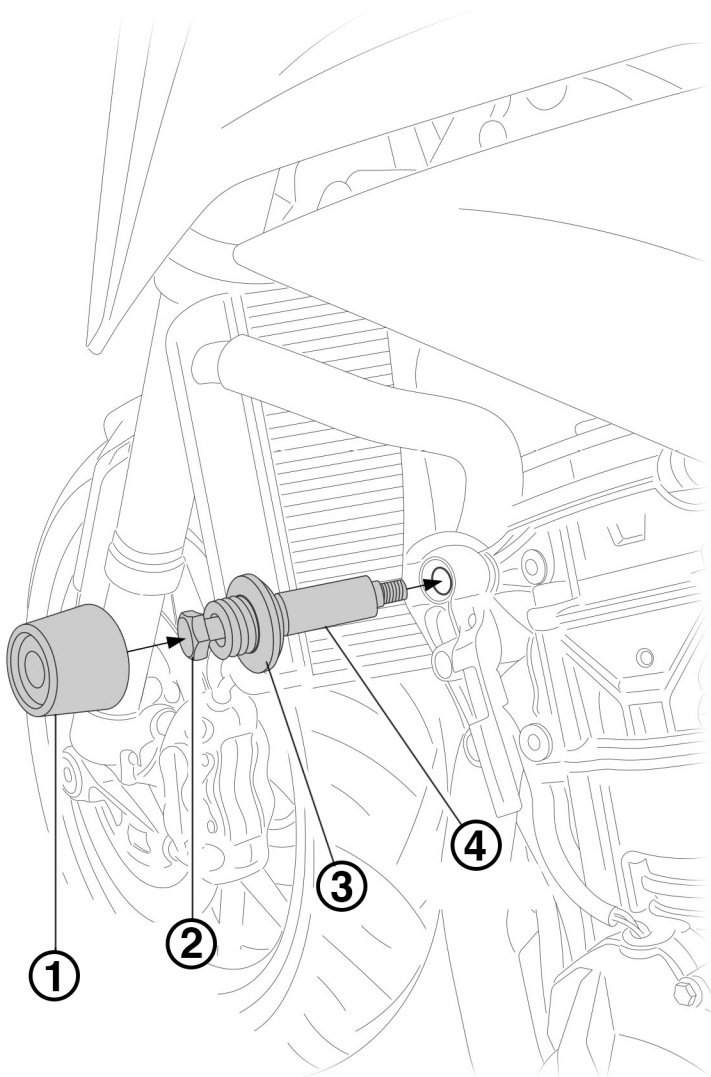
KTM7101-18

WWW.BARRACUDAMOTO.COM

LEGEND

- | | |
|---|---|
| 1. HEAD PAD
TESTA TAMPONE
TIESTA DE TOPE
STURZPAD KOPF
TÊTE TAMPON | 3. BASE PAD
BASE TAMPONE
BASE DE TOPE
STURZPAD BASIS
BASE TAMPON |
| 2. SCREW M10X140
VITE M10X140
TORNILLO M10X140
SCHRAUBE M10X140
VIS M10X140 | 4. SPECIFIC THICKNESS
SPessore SPECIFICO
ESPACIADOR
ABSTANDSHALTER
ESPACEUR |

LEFT



RIGHT

